

## GENERAL CHARACTERISTICS

Level controls with 1 electrical contact, reliable, compact and easy to install. Designed to offer a range of level switches to meet the request for a cheap monitoring of the level in small tanks.

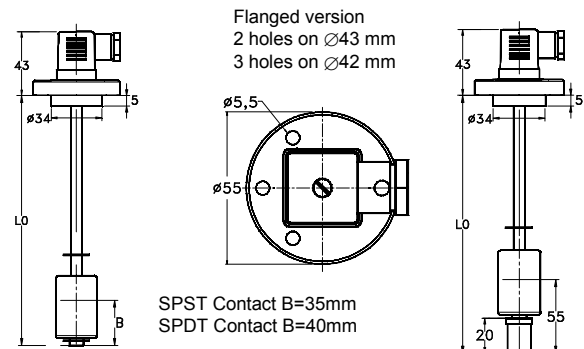
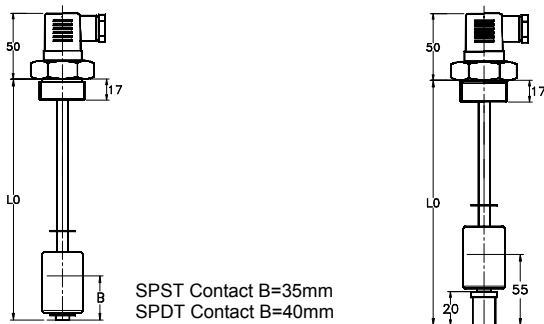


- Connection: **Brass - Alluminum - PVC**
- Closed cell float.
- Hermetic and replaceable electrical contact.
- Operating ambient temperature -30 / +55 °C - 90% R.H.
- Easy mounting, threaded or flanged.
- Minimum degree of protection IP65.

## TECHNICAL DATA Tab.1

		Description								Code	
<b>Float</b>	SPANSIL –Butadiene Acrylonitrile Copolymer closed cells								<b>B45</b>		
	∅ 30 x 45 mm			S.G. 0, 35			20 Bar				
<b>Rod length L0 mm</b>	<b>0100</b>	<b>0150</b>	<b>0200</b>	<b>0250</b>	<b>0300</b>	<b>0350</b>	<b>0400</b>	<b>0450</b>	<b>0500</b>	Brass	<b>O. L0</b>
<b>Process connection</b>	Threaded		1" UNI 228/1 male thread			SW 40		Brass		<b>25GO</b>	
								Anodized aluminium		<b>25GD</b>	
	Flanged		Double fixing (2 or 3 holes)			∅ 55 mm		PVC		<b>25GV</b>	
								Brass		<b>FOPX</b>	
								Anodized aluminium		<b>FDPX</b>	
								PVC		<b>FVPX</b>	
<b>Electrical contact</b>	SPST	N.C.	N.O.	Overtuning the float of 180°		300 VAC	50W	70VA	0,5A	<b>3</b>	
	SPDT	Changeover contact			230V	60W	60VA	1A	<b>7</b>		
<b>Built-in thermostat °C</b> On request	<b>30</b>	<b>40</b>	<b>50</b>	<b>60</b>	<b>70</b>	<b>80</b>	<b>90</b>	<b>100</b>	N.O.	<b>°CT1</b>	
								N.C.		<b>°CT2</b>	
<b>Electrical output</b>	DIN 43650 plug						IP 65		<b>S1</b>		
<b>Max. temperature °C</b>	105°C								<b>L</b>		
<b>Sealing gasket</b>	NBR flat gasket anti-oil								<b>1</b>		

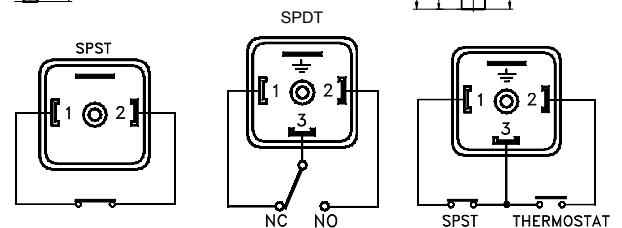
## DIMENSIONS Tab.2



## WIRING Tab.3

With the thermostat option the customer must define the electrical contact condition. The contact and the thermostat are common wired.

**I = Independent C = Common 2 = NC 3 = SPDT**  
Wiring Contact status in no level condition



## NOMENCLATURE

S1	B45	3	0500	O	25GO	S1	L	1	I2	60T1	Type
•											Tab.1 Float
	•										Tab.1 Electrical contact
		•									Tab.1 Total length = L0 mm.
			•								Tab.1 Rod material
				•							Tab.1 Process connection
					•						Tab.1 Electrical output
						•					Tab.1 Temperature class
							•				Tab.1 Sealing gasket
								•			Tab.3 Wiring
									•		Tab.1-3 Thermostat (on request)