



PULSAR® R86 RADAR

Pulsar® Model R86 26 GHz Pulse Burst Radar Level Transmitter

DESCRIPTION

The Pulsar® Model R86 radar transmitter is the latest generation of Magnetrol® 24 VDC, loop-powered, non-contact radar transmitters. Enhanced performance, proactive diagnostics, and various configuration wizards bring simplicity to an often complex technology.

This latest entry into the radar level measurement field is designed to provide unparalleled performance and ease of use. The 26 GHz PULSAR Model R86 is the perfect complement to the 6 GHz PULSAR Model R96 and Eclipse® Model 706 GWR transmitters. Together, this transmitter family offers the ultimate solution set to those difficult industrial process level applications.

TECHNOLOGY

The PULSAR Model R86 radar transmitter is based on pulse burst radar technology combined with equivalent time sampling circuitry. Short bursts of 26 GHz microwave energy are emitted and subsequently reflected from the liquid level surface. Distance is first measured by the equation:

$$D = \text{Transit time (round-trip)} / 2.$$

Liquid level is then calculated based on transmitter configuration.

APPLICATIONS

MEDIA: Liquids and slurries; hydrocarbons to water-based media (dielectric 1.7–100, 1.4 in stillwell)

VESSELS: Most process or storage vessels up to rated temperature and pressure. Pits and sumps as well as glass-lined tanks.

CONDITIONS: Virtually all level measurement and control applications including process conditions exhibiting varying specific gravity and dielectric, visible vapors, high fill/empty rates, turbulence, low to moderate foam and buildup.



FEATURES

- Multivariable two-wire, 24 VDC loop-powered transmitter for level, volume, or flow
- Performance not process dependent (changing specific gravity and dielectric have no effect)
- 26 GHz operating frequency offers superior performance with better accuracy and enhanced resolution
- Antenna designs to +400 °C (+750 °F), -1.0 to 160 bar (-14.7 to 2320 psi)
- Range up to 40 m (130')
- Quick connect/disconnect antenna coupling allows vessel to remain sealed
- 4-button keypad and graphic LCD display allow for convenient viewing of configuration parameters and echo curve
- Proactive diagnostics advise not only what is wrong, but also offer troubleshooting tips
- Convenient Setup and Echo Rejection Wizards (Echo Rejection setup is simple, intuitive, and effective)
- SIL 2 suitable (93.2 % SFF, with full FMEDA report available)
- PACTware™ PC Program and enhanced DTMs for advanced configuration and troubleshooting
- Available with HART® or FOUNDATION Fieldbus™ digital outputs

TECHNOLOGY

PULSE BURST RADAR

The PULSAR R86 is a top-mounted, downward-facing pulse burst radar operating at 26 GHz. Unlike true pulse devices (e.g., ECLIPSE Guided Wave Radar) which transmit a single, sharp (fast rise-time) waveform of wide-band energy (Figure 1), PULSAR emits short bursts of 26 GHz energy (Figure 2) and measures the transit time of the signal reflected off the liquid surface.

Distance is measured utilizing the equation:
Distance equals the Speed of light multiplied by the transit time divided by two ($Distance = C \times Transit\ Time/2$). Level is then calculated by factoring in tank height and other configuration information (Figure 3). The reference point for distance and level calculations is the sensor reference point (bottom of an NPT thread, top of a BSP thread, or face of the flange).

The exact level measurement is extracted from false target reflections and other background noise via the use of sophisticated signal processing. The new PULSAR Model R86 circuitry is extremely energy efficient so no duty cycling is necessary to accomplish effective measurement.

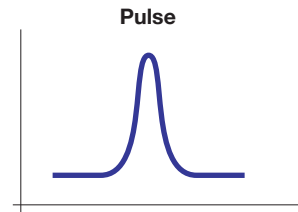


Figure 1

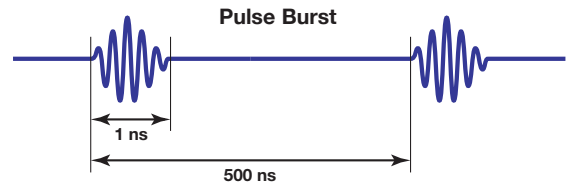


Figure 2

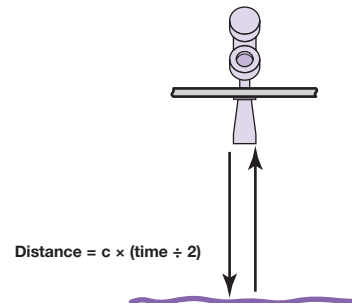


Figure 3

OPERATIONAL CONSIDERATIONS

Radar applications are characterized by three basic conditions:

- Dielectric (process medium)
- Distance (measuring range)
- Disturbances (turbulence, foam, false targets, multiple reflections)

The PULSAR R86 Radar transmitter is offered with several horn antenna sizes and configurations:

- 1 1/2"
- 2"
- 3"
- 4"

Maximum measuring range (distance) is measured from the sensor reference point (bottom of NPT thread, gasket face of BSP thread, or gasket face of flange) to the bottom of the tank. Refer to Figure 4.

Since larger horns yield stronger signals and smaller beam angles, the 4" horn antenna should ideally be used to ensure the best possible performance in all operational conditions. However, as that is often impractical, other antenna sizes are available.

The chart (Figure 5) shows the maximum measuring range of each antenna based on dielectric and turbulence.

Obstructions, noise and media buildup can drastically decrease reliable measurement. Although it is theoretically possible to measure a liquid level on the antenna, liquid should not be allowed closer than:

For Metal Antennas:

50 mm (2") from the bottom of the antenna or 300 mm (12") from the sensor reference point (whichever is greater). Refer to Figure 6.

For Encapsulated Horn Antennas:

50 mm (2") from the bottom of the antenna or 300 mm (12") from the launch point (whichever is greater). Refer to Figure 6.

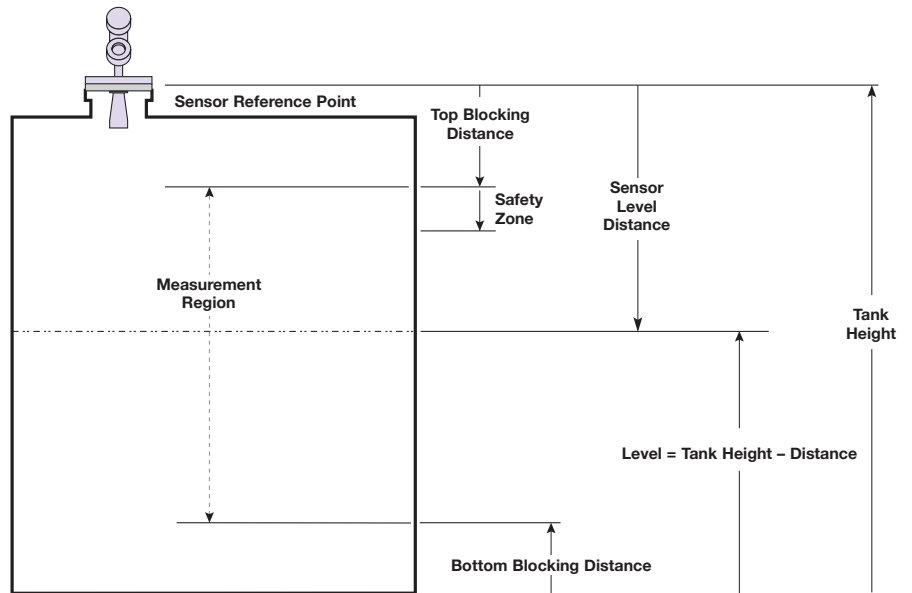


Figure 4

R86 Maximum Recommended Measuring Range in meters (feet)							
Antenna type	Dielectric >	Turbulence None or Light			Turbulence Medium or Heavy		
		1.7 – 3	3 – 10	10 – 100	1.7 – 3	3 – 10	10 – 100
Antenna type	1 1/2" Horn	9 (30)	12 (40)	18 (60)	3 (10)	5 (16)	8 (26)
	2" Horn	10 (33)	15 (49)	20 (66)	3 (10)	6 (20)	10 (33)
	3" Horn	15 (50)	20 (66)	30 (98)	4 (13)	9 (30)	12 (40)
	4" Horn	20 (66)	30 (98)	40 (130)	7 (23)	12 (40)	15 (50)

Figure 5

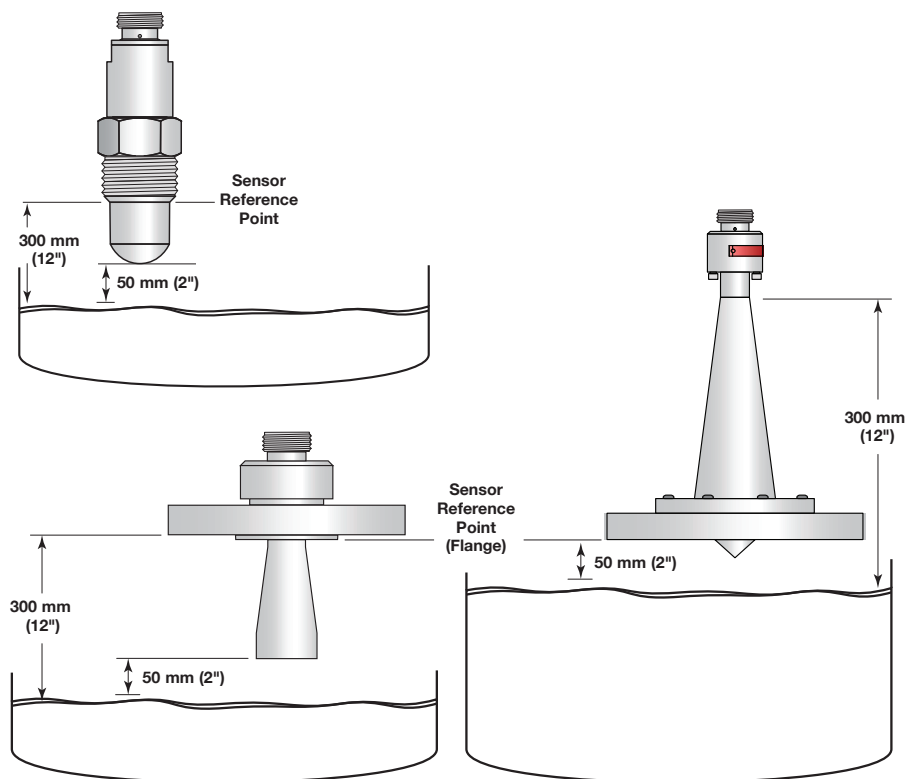


Figure 6

MOUNTING

The PULSAR Model R86 Radar transmitter can be mounted on a vessel using a variety of process connections. Generally either a threaded or flanged connection is used.

LOCATION

Ideally, the Radar transmitter should be mounted $\frac{1}{2}$ radius from center of the tank providing an unobstructed signal path to the liquid surface where it can illuminate (with microwave energy) the largest possible surface area. A conservative recommendation is to not install in center of tank top or within 45 cm (18") of tank wall. Tank walls may produce reflections that must be minimized during field configuration. Refer to Figure 7.

BEAM ANGLE

The various antenna sizes exhibit different beam patterns. Figure 9 shows the beam spread for all PULSAR Model R86 antennas. Ideally the beam pattern should illuminate the maximum liquid surface with minimum striking of other objects in the vessel including the tank wall. Use these drawings to determine the optimum installation location.

OBSTRUCTIONS

Almost any object that falls within the beam pattern will cause reflections that may be misinterpreted as a false liquid level. Although the PULSAR Model R86 has a powerful Echo Rejection routine, all possible precautions should be taken to minimize false target reflections with proper installation location. Refer to Figures 8 & 9.

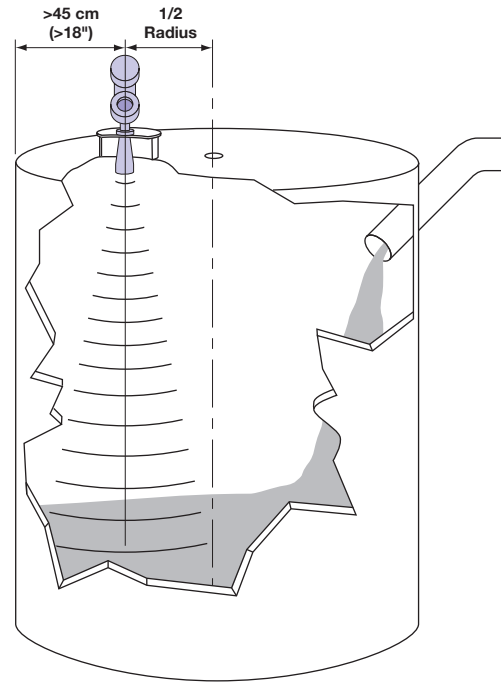


Figure 7

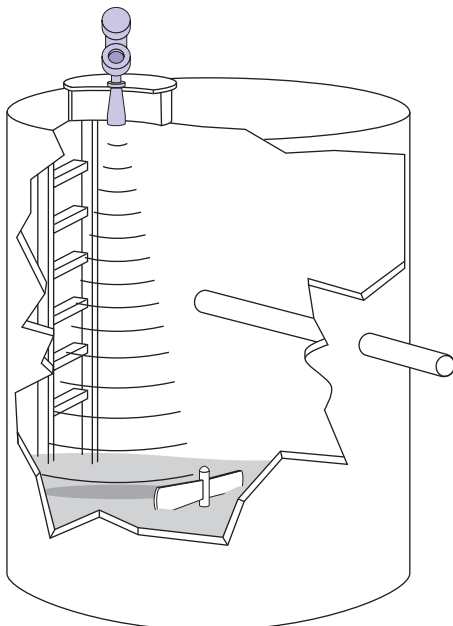
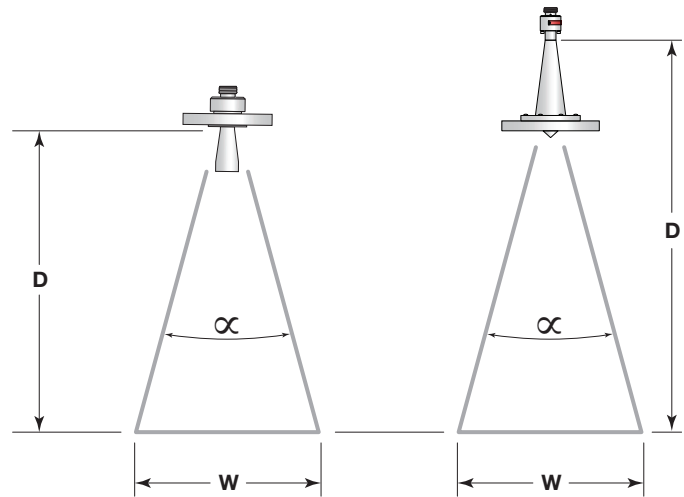


Figure 8

Antenna Beam Angle (α)	Beam Spread, W @-3dB; m (ft)			
	1 1/2" Horn 20°	2" Horn 18°	3" Horn 11°	4" Horn 9°
Distance, D ; m (ft)				
3 (10)	1,1 (3.5)	1,0 (3.2)	0,6 (1.9)	0,5 (1.6)
6 (20)	2,1 (7.1)	1,9 (6.3)	1,2 (3.9)	0,9 (3.1)
9 (30)	3,2 (10.6)	2,9 (9.5)	1,7 (5.8)	1,4 (4.7)
12 (40)	4,2 (14.1)	3,8 (12.7)	2,3 (7.7)	1,9 (6.3)
15 (50)	5,3 (17.6)	4,8 (15.8)	2,9 (9.6)	2,4 (7.9)
18 (60)	6,3 (21.2)	5,7 (19.0)	3,5 (11.6)	2,8 (9.4)
20 (65)		6,3 (20.6)	3,9 (12.5)	3,1 (10.2)
30 (98)			5,8 (18.9)	4,7 (15.4)
40 (130)				6,3 (20.5)

Figure 9

MOUNTING

NOZZLES

Improper installation in a nozzle creates “ringing” (undesired signals) which can adversely affect measurement. The antenna should always be mounted such that the active section of the antenna is a minimum of 13 mm (0.5") below the nozzle. Be sure to include any nozzle dimension that may extend down inside the vessel. Refer to Figure 10. Antenna extensions are offered to allow the PULSAR Model R86 transmitter to work reliably in nozzles with an “L” dimension up to 1.8 m (72").

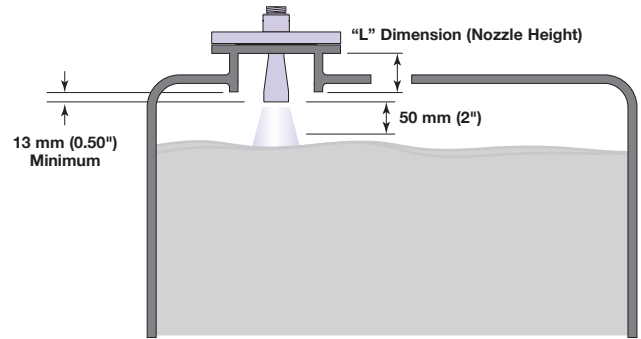


Figure 10

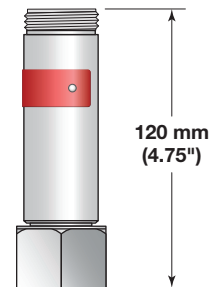
ORIENTATION

The PULSAR Model R86 transmitter utilizes circular polarization. This means that the microwave beam does not need to be manually adjusted (rotated) during commissioning as is necessary with other radar transmitters. The result is a much simpler start-up process.

TEMPERATURE EXTENSION

HEAT EXTENSION FOR USE WITH HIGH TEMPERATURE / HIGH PRESSURE ANTENNAS

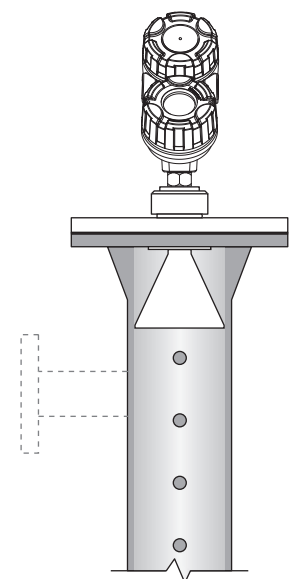
To limit the temperature exposure to the transmitter in high temperature applications, a heat extension (P/N 032-6922-001) is required between the antenna and transmitter. Refer to “Operating Temperature Range” chart on page 6.



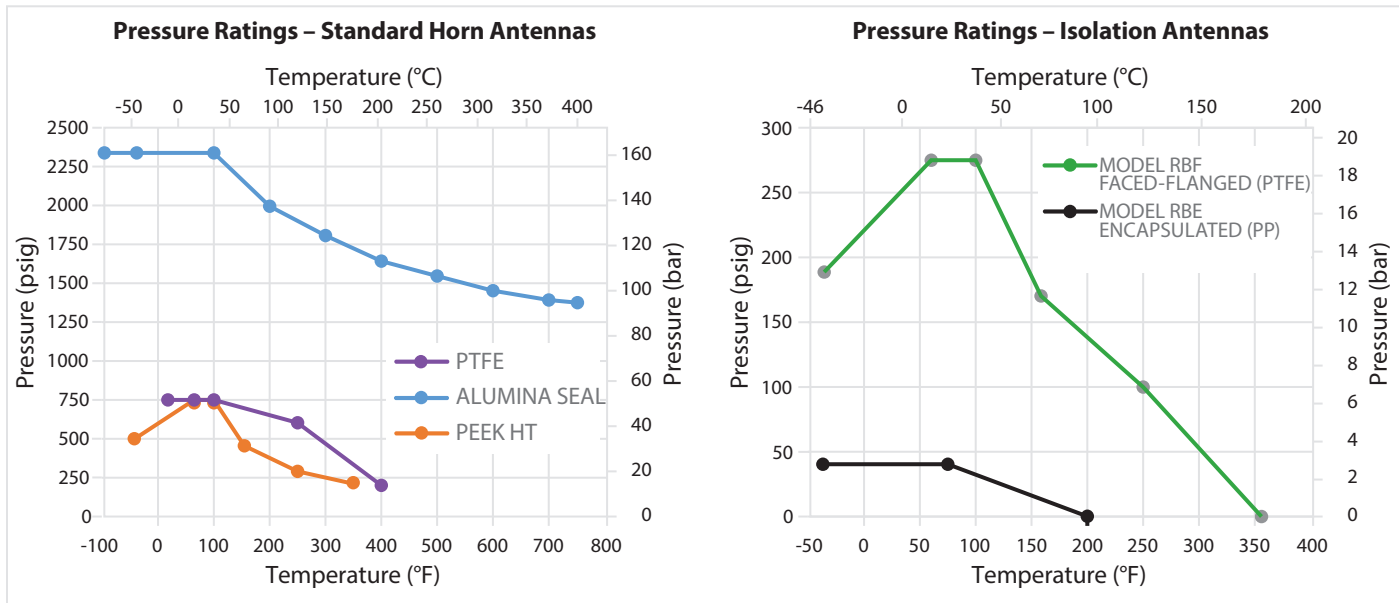
STANDPIPES AND STILLWELLS

The PULSAR Model R86 can be mounted in a standpipe or stillwell but certain items must be considered:

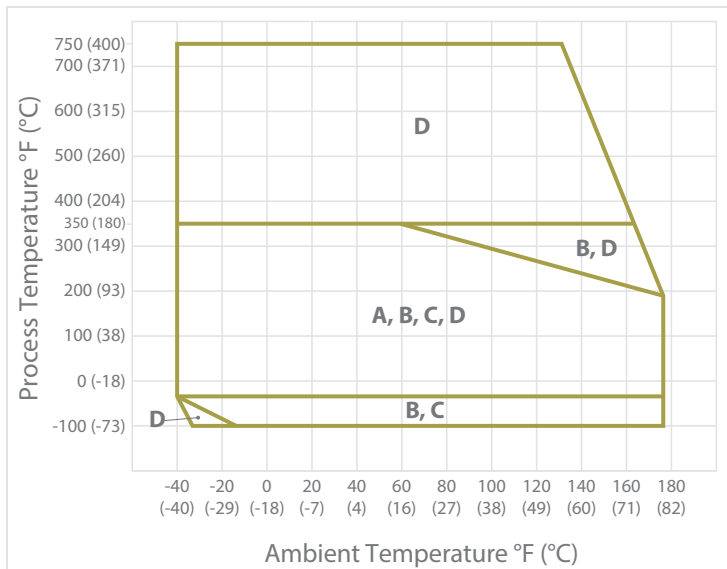
- Metal stillwells only: Inside diameter 45–200 mm (1 3/4”–8”).
- Diameter must be consistent throughout length; no reducers or gaps.
- Use only horn antennas sized to pipe ID; 38–101 mm (1 1/2”–4”); 8” pipe can use 4” horn.
- Stillwell length must cover complete range of measurement (i.e., liquid must be in stillwell).
- Welds should be smooth.
- Vents: holes < 3 mm (0.125”) diameter, slots < 3 mm (0.125”) width.
- If an isolation valve is used, it must be a full port ball valve with an ID equal to the pipe diameter.
- Configuration must include a non-zero entry for pipe ID parameter.



TEMPERATURE / PRESSURE



OPERATING TEMPERATURE RANGE



Safe Operating Regions

A: Standard PTFE Seal

C: HTHP Alumina Seal

B: Standard PTFE Seal with Extension (P/N 032-6922-001)

D: HTHP Alumina Seal with Extension (P/N 032-6922-001)

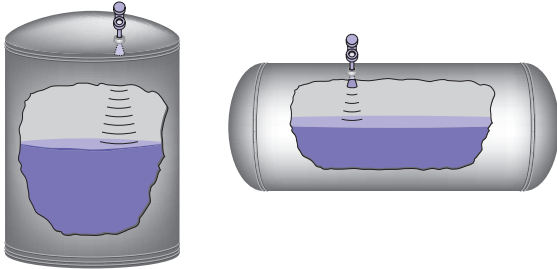
Model R86 T-codes	No Temperature Extension			With Temperature Extension Part No. 032-6922-001		
	Max. Temp. of Process	Max. Ambient Temp.	T-code	Max. Temp. of Process	Max. Ambient Temp.	T-code
Standard Seal 10th digit = 0, 2, 8 or A	+70 °C	+70 °C	T4	+70 °C	+70 °C	T4
	+135 °C	+42 °C		+135 °C	+67 °C	
	—	—	—	+200 °C	+64 °C	T3
HTHP Seal 10th digit = N	+70 °C	+70 °C	T4	+70 °C	+70 °C	T4
	+135 °C	+42 °C		+135 °C	+67 °C	
	—	—	—	+200 °C	+64 °C	T3
	—	—	—	+300 °C	+60 °C	T2
—	—	—	+400 °C	+55 °C	T1	

APPLICATIONS

PULSE BURST RADAR

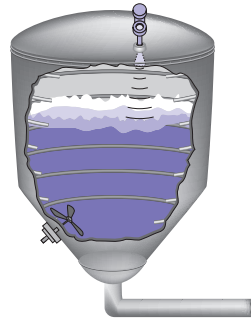
STORAGE AND INTERMEDIATE HOLDING TANKS

CONDITIONS – Calm Surfaces

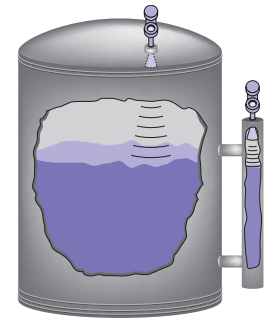


REACTORS

CONDITIONS – Turbulence and Foam

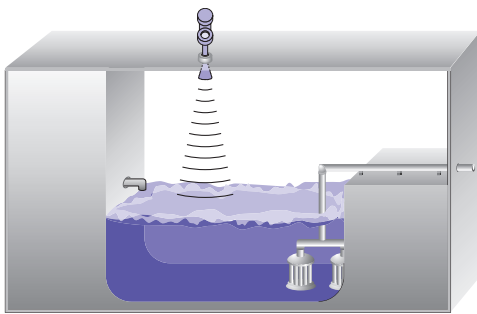


CHAMBERS AND BYPASS



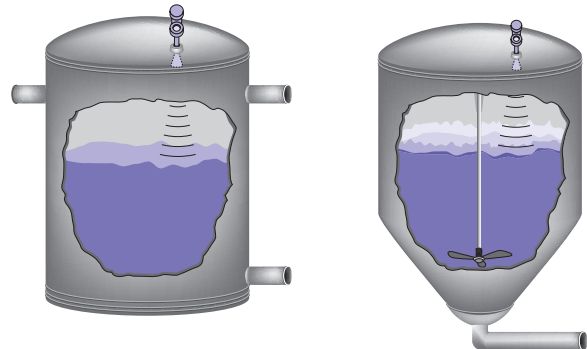
ENCLOSED SUMPS

CONDITIONS – Turbulence, Foam, and Changing Dielectric



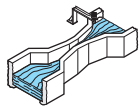
MIXING AND BLENDING VESSELS

CONDITIONS – Turbulence, Foam, and Changing Dielectric



OPEN CHANNEL FLOW APPLICATIONS

$$Q=K(L-CH)^n$$



Extensive Selection of Primary Flow Elements

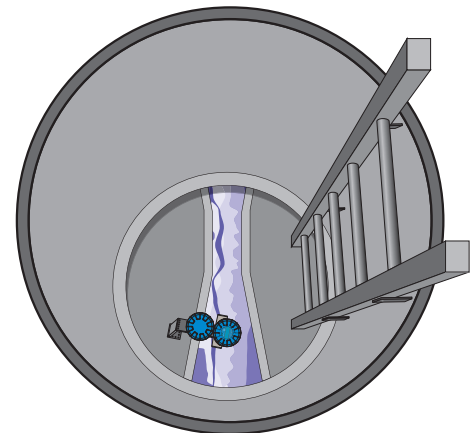
With a total of 35 flume and weir curves stored in the electronics, it would be hard to find an open channel flow application that cannot be handled by the R86 transmitter. Unusual flow applications can readily be accomplished through the use of either the 20-point Custom Table or the Generic Discharge Flow Equation which allows a direct entry of unique flow equations.

Dual Flow Totalizers

Two 7-digit flow totalizers are provided for recording flow in cubic feet, gallons, million gallons, liters, million liters, or cubic meters. One totalizer is resettable and the other is non-resettable. Several multipliers are selectable to allow for proper scaling. Totalizer time is also recorded to show how long each totalizer has been recording flow.

ENCLOSED FLUMES AND WEIRS

CONDITIONS – Turbulence and Changing Dielectric



NOTE: For optimal accuracy, mount the transmitter a minimum of 75 cm (30") above the flow element (this is dependent on type and size of the flow element). Consult factory for assistance on this dimension.

PROBLEMATIC APPLICATIONS

GUIDED WAVE RADAR ALTERNATIVE

Some applications can be problematic for Non-Contact Radar. The following are examples of when Guided Wave Radar is recommended.

- Extremely low dielectric media ($\epsilon_r < 1.7$)
- Very weak reflections from the liquid surface (particularly during turbulence) can cause poor performance.
- Tanks heavily cluttered with false targets (mixers, pumps, ladders, pipes, etc.)
- During times of very low liquid levels of low dielectric media, the metal tank bottom may be detected, which can deteriorate performance.

- Foam can either absorb or reflect the microwave energy depending upon the depth, dielectric, density and wall thickness of the bubbles. Due to typical variations in the amount (depth) of foam, it is impossible to quantify performance. It may be possible to receive most, some or none of the transmitted energy.
- Extremely high liquid level (Overflow) conditions when liquid very near the antenna can cause erroneous readings and measurement failure.
- Interface applications

Refer to ECLIPSE Model 706 Guided Wave Radar bulletin BE57-106.

O - R I N G (S E A L) S E L E C T I O N C H A R T

Material	Code	Maximum Temperature	Maximum Pressure	Min. Temp.	Recommended For Use In	Not Recommended For Use In
Viton® VX065	0	① +200 °C @ 16 bar (+400 °F @ 232 psi)	51.7 bar @ +20 °C (750 psi @ +70 °F)	-40 °C (-40 °F)	General purpose, ethylene	Ketones (MEK, acetone), skydrol fluids, amines, anhydrous ammonia, low molecular weight esters and ethers, hot hydrofluoric or chlorosulfuric acids, sour HCs
Kalrez® 4079	2	+200 °C @ 16 bar (+400 °F @ 232 psi)	51.7 bar @ +20 °C (750 psi @ +70 °F)	-40 °C (-40 °F)	Inorganic and organic acids (including HF and nitric), aldehydes, ethylene, glycols, organic oils, silicone oils, vinegar, sour HCs	Black liquor, hot water/steam, hot aliphatic amines, ethylene oxide, propylene oxide, molten sodium, molten potassium
② Simriz SZ485 (formerly Aegis PF128)	8	+200 °C @ 16 bar (+400 °F @ 232 psi)	51.7 bar @ +20 °C (750 psi @ +70 °F)	-20 °C (-4 °F)	Inorganic and organic acids (including HF and nitric), aldehydes, ethylene, glycols, organic oils, silicone oils, vinegar, sour HCs, steam, amines, ethylene oxide, propylene oxide, NACE applications	Black liquor, Freon 43, Freon 75, Galden, KEL-F liquid, molten sodium, molten potassium
Kalrez® 6375	A	+200 °C @ 16 bar (+400 °F @ 232 psi)	51.7 bar @ +20 °C (750 psi @ +70 °F)	-40 °C (-40 °F)	Inorganic and organic acids (including hydro fluids and nitric), aldehydes, ethylene, organic oils, glycols, silicone oils, vinegar, sour HCs	Hot water/steam, hot aliphatic amines, ethylene oxide, propylene oxide
Alumina	N	+400 °C @ 94.8 bar (+750 °F @ 1375 psi)	160 bar @ +20 °C (2320 psi @ +70 °F)	-70 °C (-100 °F)	General high temperature/high pressure applications, hydrocarbons, full vacuum (hermetic), ammonia, chlorine	Hot alkaline solutions HF acid, media with pH>12, direct exposure to saturated steam

① +180 °C (+350 °F) for options with hazardous locations approval.

② Maximum +150 °C (+300 °F) for use on steam.

AGENCY APPROVALS



These devices are in compliance with the RED-directive 2014/53/EU, the EMC directive 2014/30/EU, the PED-directive 2014/68/EU, the ATEX directive 2014/34/EU and RoHS directive 2011/65/EU.

<p>Explosion Proof US/Canada: FM17US0108X / FM17CA0055X Class I, Div 1, Group B, C, D, T4...T1 Class I, Zone 0/1 AEx/Ex ia/db IIB i + H2 T4...T1 Ga/Gb Class I, Zone 1 AEx/Ex db ia IIB + H2 T4...T3 Gb Ta = -40 °C to +70 °C Type 4X, IP67</p> <p>Flame Proof ATEX – FM17ATEX0027X II 1/2 G Ex ia/db IIB + H2 T4...T1 Ga/Gb II 2 G Ex db ia IIB + H2 T4...T3 Gb Ta = -40 °C to +70 °C IP67</p> <p>IEC- IECEX FMG 17.0012X Ex ia/db IIB + H2 T4...T1 Ga/Gb Ex db ia IIB + H2 T4...T3 Gb Ta = -40 °C to +70 °C IP67</p>	<p>Non- Incendive US/Canada: FM17US0108X / FM17CA0055X Class I, II, III, Div 2, Group A, B, C, D, E, F, G, T4...T1 Class I, Zone 2 AEx nA ia IIC T4...T1 Class I, Zone 2 Ex nA ia IIC T4...T1 Ta = -15 °C to +70 °C Type 4X, IP67</p> <p>ATEX - FM17ATEX0028X II 3 G Ex nA IIC Gc T4...T1 Ta = -15 °C to +70 °C IP67</p> <p>IEC – IECEX FMG 17.0012X Ex nA IIC Gc T4...T1 Ta = -15 °C to +70 °C IP67</p>
<p>Intrinsically Safe US/Canada: FM17US0108X / FM17CA0055X Class I, II, III, Div 1, Group A, B, C, D, E, F, G, T4...T1 Class I, Zone 0 AEx ia IIC T4...T1 Class I, Zone 0 Ex ia IIC T4...T1 Ga Ta = -40 °C to +70 °C Type 4X, IP67</p> <p>ATEX – FM17ATEX0027X: II 1 G Ex ia IIC T4...T1 Ga Ta = -40 °C to +70 °C IP67</p> <p>IEC – IECEX FMG 17.0012X: Ex ia IIC T4...T1 Ga Ta = -40 °C to +70 °C IP67</p>	<p>Dust Ignition Proof US/Canada: FM17US0108X / FM17CA0055X Class II, III, Div 1, Group E, F, and G, T4...T1 Ta = -15 °C to +70 °C Type 4X, IP67</p> <p>ATEX – FM17ATEX0027X: II 2 D Ex ia tb IIIC T100 °C Db Ta = -15 °C to +70 °C IP67</p> <p>IEC – IECEX FMG 17.0012X: Ex ia tb IIIC T100 °C Db Ta = -15 °C to +70 °C IP67</p>

FM3600:2011, FM3610:2010, FM3611:2004, FM3615:2006, FM3616:2011, FM3810:2005, ANSI/ISA60079-0:2013, ANSI/ISA 60079-1:2015, ANSI/ISA 60079-11:2013, ANSI/ISA 60079-15:2012, ANSI/ISA 60079-26:2011, NEMA 250:2003, ANSI/IEC 60529:2004, C22.2 No. 0.4:2009, C22.2 No. 0.5:2008, C22.2 No. 30:2007, C22.2 No. 94:2001, C22.2 No. 213:2012, C22.2 No. 1010.1:2009, CAN/CSA 60079-0:2011, CAN/CSA 60079-1:2011, CAN/CSA 60079-11:2014, CAN/CSA 60079-15:2012, C22.2 No. 60529:2005, EN60079-0:2012, EN60079-1:2014, EN60079-11:2012, EN60079-15:2010, EN60079-26:2007, EN60079-31:2009, EN60529+A1:1991-2000, IEC60079-0:2011, IEC60079-1:2014, IEC60079-11:2011, IEC60079-15:2010, IEC60079-26:2006, IEC60079-31:2008

“This equipment with chargeable non-conductive parts, e.g. enclosure’s paint and antenna use PTFE, Co-polymer Polypropylene or Noryl En265, is provided with a warning label referring to the safety measures that must be taken if there is electrostatic charging during operation. For use in hazardous area, the equipment and side to be installed, e.g. tank, must be connected to earth and be attention to not only the measuring object, e.g. liquids, gases, powders and etc., but also the related conditions, e.g. tank container, vessel and etc. (According to IEC 60079-32-1).”

FCC (ID# LPN-R86) Compliance Statement:

This equipment has been tested and found to comply with the limits for a Class B digital device, pursuant to part 15 of the FCC Rules. These limits are designed to provide reasonable protection against harmful interference in a residential installation. This equipment generates, uses and can radiate radio frequency energy and, if not installed and used in accordance with the instructions, may cause harmful interference to radio communications.

Telecommunications Approvals

Agency	In-Tank	Out-of-Tank
FCC	47 CFR, Part 15, Subpart C, Section 15.209 Unintentional Radiators	47 CFR, Part 15, Subpart C, Section 15.256
ISED	RSS-211	RSS-211
ETSI	EN 302 372 V2.1.1 (2016-12)	EN 302 729 V2.1.1 (2016-12)

TRANSMITTER SPECIFICATIONS

FUNCTIONAL/PHYSICAL

System Design

Measurement Principle Pulse burst radar 26 GHz

Input

Measured Variable Level, determined by the time-of-flight of radar pulse reflections

Span 0,2 to 40 m (0.5' to 130')

Output

Type 4 to 20 mA with HART: 3.8 mA to 20.5 mA useable (per NAMUR NE43)

FOUNDATION Fieldbus™: H1 (ITK Ver. 6.2.0)

Resolution Analog: .003 mA

Digital Display: 1 mm

Loop Resistance GP/IS: 591 ohms @ 24 VDC and 22 mA

XP/Flameproof: 500 ohms @ 24 VDC and 22 mA

Diagnostic Alarm Selectable: 3.6 mA, 22 mA (meets requirements of NAMUR NE 43), or HOLD last output

Diagnostic Indication Meets requirements of NAMUR NE107

Damping Adjustable 0-10

User Interface

Keypad 4-button menu-driven data entry

Display Graphic Liquid Crystal Display

Digital Communication HART Version 7—with Field Communicator, FOUNDATION fieldbus™, AMS, or FDT

DTM (PACTware™), EDDL

Menu Languages Transmitter LCD: English, French, German, Spanish, Russian, Portuguese, Polish

HART DD: English, French, German, Spanish, Russian, Chinese, Portuguese, Polish

FOUNDATION fieldbus Host System: English

Voltage (Measured at instrument terminals) HART: General Purpose (Weather proof)/Intrinsically Safe/Explosion-proof:
11 VDC minimum at terminals under certain conditions (refer to Manual BE58-603)

FOUNDATION Fieldbus™ and PROFIBUS PA: 9 to 17.5 VDC

FISCO, FNICO, General Purpose (Weatherproof)

Housing

Material IP67/die-cast aluminum A413 (<0.6 % copper); optional stainless steel

Net/Gross Weight Aluminum: 2,0 kg (4.5 lbs.)

Stainless Steel: 4,5 kg (10.0 lbs.)

Overall Dimensions Refer to page 12

Cable Entry 1/2" NPT or M20

SIL 2 Hardware (Safety Integrity Level) Safe Failure Fraction = 93.2 % (HART only)

Functional Safety to SIL 2 as 1oo1 in accordance with IEC 61508

(Full FMEDA report available upon request)

ENVIRONMENT

Operating Temperature General purpose: -40 °C to +80 °C (-40 °F to +175 °F);
Agency approved: -40 °C to +70 °C (-40 °F to +160 °F);

LCD viewable -20 °C to +70 °C (-5 °F to +160 °F)

Storage Temperature -45 °C to +85 °C (-50 °F to +185 °F)

Humidity 0–99 %, non-condensing

Electromagnetic Compatibility Meets CE requirement (EN 61326) and NAMUR NE 21

Surge Protection Meets CE EN 61326 (1000V)

Shock/Vibration ANSI/ISA-S71.03 Class SA1 (Shock); ANSI/ISA-S71.03 Class VC2 (Vibration)

PERFORMANCE

Reference Conditions	Reflection from ideal reflector at +20 °C (+70 °F)	
Linearity	±3 mm (0.1") or 0.1 % of tank height (whichever is greater)	
Measured Error	±3 mm (0.1") or 0.1 % of tank height (whichever is greater) (Performance will degrade slightly within 1.5 m (60") of antenna)	
Resolution	1mm or 0.1"	
Repeatability	±3 mm (0.1") or 0.05% of tank height (whichever is greater)	
Response Time	<2 seconds (configuration dependent)	
Initialization Time	< 30 seconds	
Ambient Temperature Effect	Digital	Average 3 mm (0.12") / 10 K, max of ±10 mm (0.4") over the entire temperature range -40 °C to +80 °C (-40 °F to +175 °F)
	Analog	Current Output (additional error with reference to 16 mA span) Average 0.03 % / 10 K. max 0.45 % over entire temperature range -40 °C to +80 °C (-40 °F to +175 °F)
Maximum Rate of Change	450 cm (180")/minute	
FOUNDATION fieldbus™ :	ITK Version	6.2.0
	H1 Device Class	Link Master (LAS)—selectable ON/OFF
	H1 Profile Class	31PS, 32L
	Function Blocks	(8) AI, (3) Transducer, (1) Resource, (2) PID (1) Arithmetic, (1) Signal Characterizer, (1) Input Selector, (1) Integrator
	Quiescent Current	17 mA
	Execution Time	10 ms (15 ms PID Block)
	Device Revision	01
	DD Version	0x01

ANTENNA SPECIFICATIONS

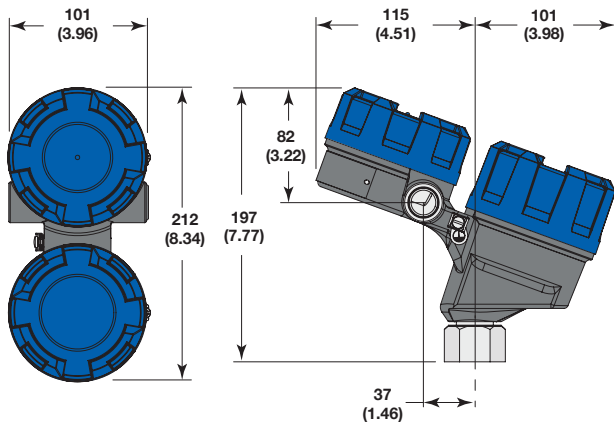
FUNCTIONAL / PHYSICAL

Antenna Material	316 SS, Hastelloy C, Polypropylene or PTFE
Process Seal Material	PEEK, PTFE with O-rings or Alumina
Maximum Process Temperature	+400 °C @ 94,8 bar (+750 °F @ 1375 psi)
Maximum Process Pressure	-1,0 to 160 bar @ +20 °C (-14.7 to 2320 psi @ +70 °F)
Vacuum Service	Hermeticity to $<5 \times 10^{-7}$ cc/sec helium
Minimum Dielectric (application dependent)	1,7 (1,4 with stillwells)

DIMENSIONAL SPECIFICATIONS

MM (INCHES)

TRANSMITTER



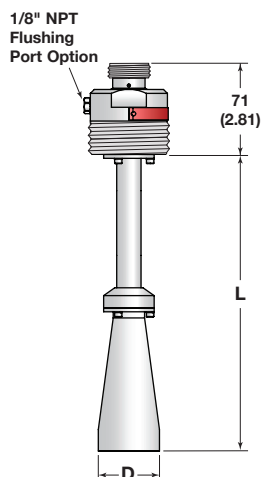
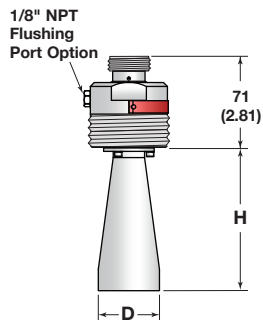
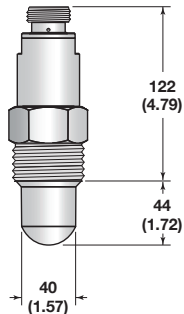
POLYPROPYLENE AND PTFE FACED-FLANGE ANTENNA

	Model Number 3th Digit	Process Connection	Horn Size		
			1 1/2"	2"	3"
Dim. A	E Encapsulated Polypropylene Horn	1 1/2" NPT	122 (4.79)	—	—
		2" 150#	—	100 (3.94)	—
		3" 150#	—	—	268 (10.56)
		4" 150#	—	—	289 (11.39)
Dim. A	F Faced Flange PTFE Horn	2" 150#	—	100 (3.94)	—
		3" 150#	—	—	119 (4.69)

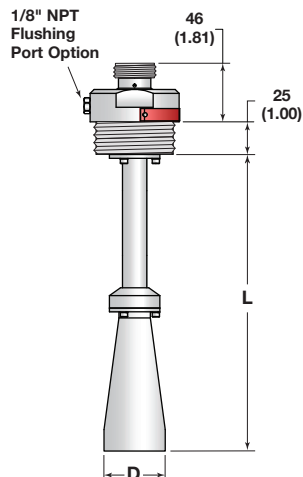
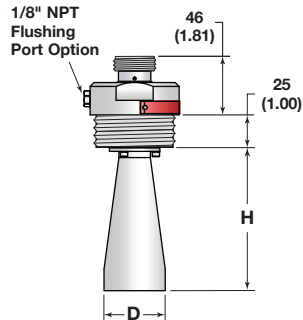
HORN ANTENNA

	Model Number 11th Digit (Extension)	3rd Digit (Horn Size)			
		1 (1 1/2")	2 (2")	3 (3")	4 (4")
Dim. H	0 (None)	81 (3.2)	114 (4.5)	216 (8.5)	292 (11.5)
Dim. L	1 (4")	152 (6)	—	—	—
	2 (8")	203 (8)	211 (8.3)	—	—
	3 (12")	305 (12)	305 (12)	315 (12.4)	366 (14.4)
	4 (24")	610 (24)	610 (24)	610 (24)	610 (24)
	5 (48")	1219 (48)	1219 (48)	1219 (48)	1219 (48)
	6 (72")	1829 (72)	1829 (72)	1829 (72)	1829 (72)
Dim. D		40 (1.56)	48 (1.89)	75 (2.95)	95 (3.74)

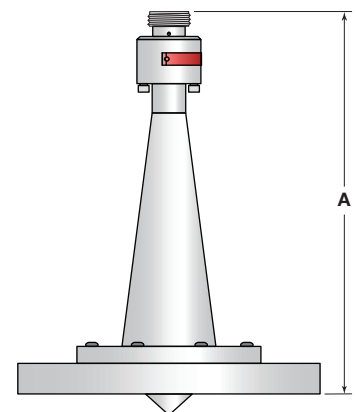
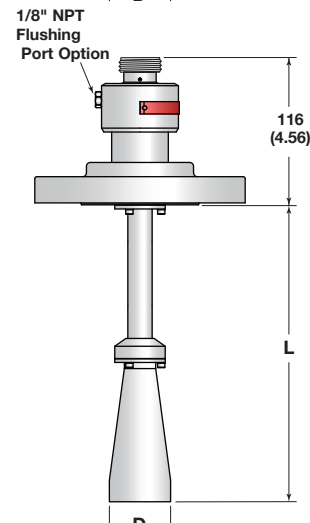
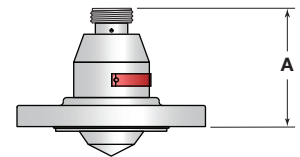
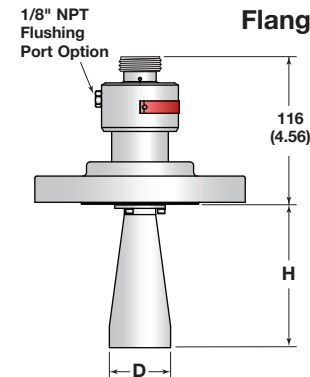
NPT Connection



BSP Connection



Flange Connection



TRANSMITTER MODEL NUMBER

QUICK RESPONSE CELL (QRC)

Several models are available for extra quick shipment, within max. 15 days after factory receipt of purchase order, through the Quick Response Cell (QRC). To take advantage of QRC, simply match the green model number codes. QRC delivery is limited to a maximum of 10 units per order. Contact your local representative for lead times on larger volume orders, as well as other products and options.

1-3 | MEASUREMENT SYSTEM

R 8 6	Through-Air Radar Level Transmitter - 26 GHz Pulse Burst Radar
-------	--

4 | POWER

5	24 VDC, Two Wire
---	------------------

5 | SIGNAL OUTPUT

1	4-20 mA with HART
2	FOUNDATION Fieldbus™ H1
3	PROFIBUS PA

6 | SAFETY OPTIONS

0	None (FOUNDATION Fieldbus and PROFIBUS only, 5th digit = 2)
1	SIL 2 Hardware - HART only (5th digit = 1)
A	None (FOUNDATION Fieldbus and PROFIBUS only, 5th digit = 2) – ETSI ^①
B	SIL 2 Hardware - HART only (5th digit = 1) – ETSI ^①

^① Must be used with 3-inch or 4-inch horn

7 | ACCESSORIES/MOUNTING

0	No Digital Display and Keypad - Integral
A	Digital Display and Keypad - Integral

8 | CLASSIFICATION

0	General Purpose, Weatherproof (IP 67)
1	Intrinsically Safe (FM & CSA)
3	Explosion-proof (FM & CSA)
A	Intrinsically Safe (ATEX/IEC)
B	Flame-proof (ATEX/IEC) Zone 0 requires Antenna 10th digit = 0, 8 or N
C	Non-sparking (ATEX)
D	Dust Ex (ATEX)

9 | HOUSING

1	Die-cast Aluminum, Dual Compartment, 20-degree
2	Investment Cast, 316ss, Dual Compartment, 20-degree

10 | CONDUIT CONNECTION

0	1/2" NPT
1	M20
2	1/2" NPT with sunshade
3	M20 with sunshade



ANTENNA MODEL NUMBER

1-2 | TECHNOLOGY

R B	PULSAR Radar Antennas - 26 GHz
-----	--------------------------------

3 | CONFIGURATION/STYLE

1	1 1/2" Horn
2	2" Horn
3	3" Horn
4	4" Horn
E	Encapsulated – Polypropylene (available only when 4th and 5th digits = 31, 43, 53, 63, 73, DA, EA, FA, GA)
F	Faced Flange – PTFE Coated Wetted Surfaces (available only when 4th and 5th digits = 43, 53, DA, EA)

4-5 | PROCESS CONNECTION - SIZE/TYPE

31	1 1/2" NPT thread	41	2" NPT Thread
32	1 1/2" BSP (G 1 1/2") thread	42	2" BSP (G 2") Thread

ASME Flanges

EN Flanges

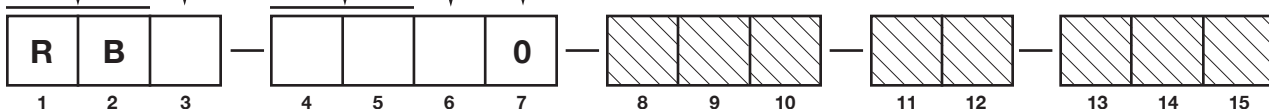
43	2" 150# ASME raised face flange	DA	DN 50, PN 16	EN 1092-1 Type A
44	2" 300# ASME raised face flange	DB	DN 50, PN 25/40	EN 1092-1 Type A
45	2" 600# ASME raised face flange	DD	DN 50, PN 63	EN 1092-1 Type B2
53	3" 150# ASME raised face flange	EA	DN 80, PN 16	EN 1092-1 Type A
54	3" 300# ASME raised face flange	EB	DN 80, PN 25/40	EN 1092-1 Type A
55	3" 600# ASME raised face flange	ED	DN 80, PN 63	EN 1092-1 Type B2
63	4" 150# ASME raised face flange	FA	DN 100, PN 16	EN 1092-1 Type A
64	4" 300# ASME raised face flange	FB	DN 100, PN 25/40	EN 1092-1 Type A
65	4" 600# ASME raised face flange	FD	DN 100, PN 63	EN 1092-1 Type B2
73	6" 150# ASME raised face flange	GA	DN 150, PN 16	EN 1092-1 Type A
74	6" 300# ASME raised face flange	GB	DN 150, PN 25/40	EN 1092-1 Type A
75	6" 600# ASME raised face flange	GD	DN 150, PN 63	EN 1092-1 Type B2

6 | CONSTRUCTION CODES

0	Industrial
K	ASME B31.1
L	ASME B31.3
M	ASME B31.3 & NACE MR0175 / MR0103
N	NACE MR0175 / MR0103

7 | FLANGE OPTIONS

0	None
---	------



ANTENNA MODEL NUMBER

8 | MATERIAL OF CONSTRUCTION

A	316SS/316L SS
B	Hastelloy C
R	316SS/316L SS with Carbon Steel Flange
S	Hastelloy C with Carbon Steel Flange

9 | FUTURE

0	None
---	------

10 | O-RING MATERIALS/SEAL OPTIONS ①

0	Viton VX065
2	Kalrez 4079 (not suitable for ATEX/IEC flameproof Zone 0)
8	Simriz SZ485 (formerly Aegis PF128) — NACE
A	Kalrez 6375 (not suitable for ATEX/IEC flameproof Zone 0)
N	None - Alumina seal

① Refer to pages 5 and 6 for temperature extension information

11 | ANTENNA EXTENSIONS

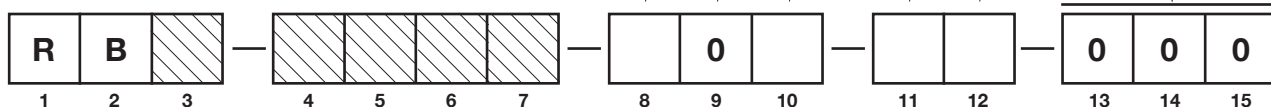
0	None
1	For nozzle height ≤ 100 mm (4") - only available when 3rd digit = 1
2	For nozzle height ≤ 200 mm (8") - not available when 3rd digit = 3 or 4
3	For nozzle height ≤ 300 mm (12")
4	For nozzle height ≤ 600 mm (24")
5	For nozzle height ≤ 1200 mm (48")
6	For nozzle height ≤ 1800 mm (72")

12 | SPECIAL OPTIONS

0	None
1	1/8" NPT Flushing Connection

13-15 | FUTURE

000	None
-----	------





QUALITY ASSURANCE - ISO 9001

THE QUALITY ASSURANCE SYSTEM IN PLACE AT MAGNETROL GUARANTEES THE HIGHEST LEVEL OF QUALITY DURING THE DESIGN, THE CONSTRUCTION AND THE SERVICE OF CONTROLS. OUR QUALITY ASSURANCE SYSTEM IS APPROVED AND CERTIFIED TO **ISO 9001** AND OUR TOTAL COMPANY IS COMMITTED TO PROVIDING FULL CUSTOMER SATISFACTION BOTH IN QUALITY PRODUCTS AND QUALITY SERVICE.

PRODUCT WARRANTY

ALL MAGNETROL ELECTRONIC AND ULTRASONIC LEVEL CONTROLS ARE WARRANTED FREE OF DEFECTS IN MATERIALS AND WORKMANSHIP FOR 18 MONTHS FROM THE DATE OF ORIGINAL FACTORY SHIPMENT. IF RETURNED WITHIN THE WARRANTY PERIOD; AND, UPON FACTORY INSPECTION OF THE CONTROL, THE CAUSE OF THE CLAIM IS DETERMINED TO BE COVERED UNDER THE WARRANTY; THEN, MAGNETROL INTERNATIONAL WILL REPAIR OR REPLACE THE CONTROL AT NO COST TO THE PURCHASER (OR OWNER) OTHER THAN TRANSPORTATION. MAGNETROL SHALL NOT BE LIABLE FOR MISAPPLICATION, LABOR CLAIMS, DIRECT OR CONSEQUENTIAL DAMAGE OR EXPENSE ARISING FROM THE INSTALLATION OR USE OF THE EQUIPMENT. THERE ARE NO OTHER WARRANTIES EXPRESSED OR IMPLIED, EXCEPT, SPECIAL WRITTEN WARRANTIES COVERING SOME MAGNETROL PRODUCTS.

UNDER RESERVE OF MODIFICATIONS

BULLETIN N°: BE 58-103.4
EFFECTIVE: JULY 2019
SUPERSEDES: June 2018

European Headquarters & Manufacturing Facility

Heikensstraat 6
9240 Zele, Belgium

Tel: +32-(0)52-45.11.11 • Fax: +32-(0)52-45.09.93

e-mail: info@magnetrol.be

www.magnetrol.com

