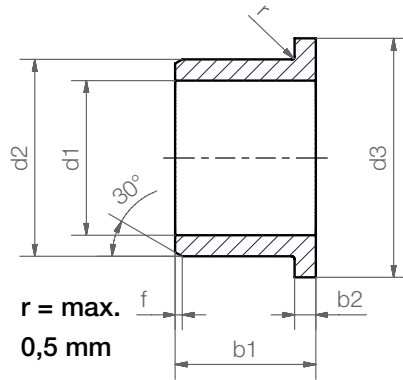


Gleitlager mit Bund



Bestellschlüssel

WFM-0204-03



- Gesamtlänge b1
- Außendurchmesser d2
- Innendurchmesser d1
- metrisch
- mit Bund (Form F)
- Werkstoff iglidur® W300

Abmessungen nach ISO 3547-1 und Sonderabmessungen

Fase in Abhängigkeit von d1

d1 [mm]:	Ø 1-6	Ø 6-12	Ø 12-30	Ø > 30
f [mm]:	0,3	0,5	0,8	1,2

Abmessungen [mm]

Bestellnummer	d1	d1-Toleranz*	d2	d3	b1	b2
				d13	h13	-0,14
WFM-0204-03	2,5	+0,014 +0,054	4,0	6,5	3,0	0,75
WFM-0304-03	3,0	+0,014 +0,054	4,5	7,5	3,0	0,75
WFM-0304-05	3,0	+0,014 +0,054	4,5	7,5	5,0	0,75
WFM-0405-03	4,0	+0,020 +0,068	5,5	9,5	3,0	0,75
WFM-0405-04	4,0	+0,020 +0,068	5,5	9,5	4,0	0,75
WFM-0405-06	4,0	+0,020 +0,068	5,5	9,5	6,0	0,75
WFM-0506-08	5,0	+0,010 +0,040	6,0	10,0	8,0	0,5
WFM-0507-04	5,0	+0,020 +0,068	7,0	11,0	4,0	1,0
WFM-0507-05	5,0	+0,020 +0,068	7,0	11,0	5,0	1,0
WFM-0608-04	6,0	+0,020 +0,068	8,0	12,0	4,0	1,0
WFM-0608-06	6,0	+0,020 +0,068	8,0	12,0	6,0	1,0
WFM-0608-08	6,0	+0,020 +0,068	8,0	12,0	8,0	1,0
WFM-0608-10	6,0	+0,020 +0,068	8,0	12,0	10,0	1,0
WFM-0608-15	6,0	+0,020 +0,068	8,0	12,0	15,0	1,0
WFM-0709-10	7,0	+0,025 +0,083	9,0	15,0	10,0	1,0
WFM-0709-12	7,0	+0,025 +0,083	9,0	15,0	12,0	1,0
WFM-0810-02	8,0	+0,025 +0,083	10,0	15,0	2,7	1,0
WFM-0810-04	8,0	+0,025 +0,083	10,0	15,0	4,0	1,0
WFM-0810-05	8,0	+0,025 +0,083	10,0	15,0	5,5	1,0
WFM-0810-07	8,0	+0,025 +0,083	10,0	15,0	7,5	1,0
WFM-0810-09	8,0	+0,025 +0,083	10,0	15,0	9,5	1,0
WFM-0810-10	8,0	+0,025 +0,083	10,0	15,0	10,0	1,0
WFM-0810-23	8,0	+0,025 +0,083	10,0	15,0	23,0	1,0
WFM-0810-30	8,0	+0,025 +0,083	10,0	15,0	30,0	1,0
WFM-081015-05	8,0	+0,025 +0,083	10,0	15,0	5,0	1,0
WFM-1012-04	10,0	+0,025 +0,083	12,0	18,0	4,0	1,0

* nach dem Einpressen; Messverfahren ► Seite 59



Lieferzeit ab Lager



Preise Online-Preisliste

www.igus.de/de/w300



Gleitlager mit Bund

Abmessungen [mm]

Bestellnummer	d1	d1-Toleranz*	d2	d3 d13	b1 h13	b2 -0,14
WFM-1012-05	10,0	+0,025 +0,083	12,0	18,0	5,0	1,0
WFM-1012-06	10,0	+0,025 +0,083	12,0	18,0	6,0	1,0
WFM-1012-07	10,0	+0,025 +0,083	12,0	18,0	7,0	1,0
WFM-1012-09	10,0	+0,025 +0,083	12,0	18,0	9,0	1,0
WFM-1012-10	10,0	+0,025 +0,083	12,0	18,0	10,0	1,0
WFM-1012-12	10,0	+0,025 +0,083	12,0	18,0	12,0	1,0
WFM-1012-15	10,0	+0,025 +0,083	12,0	18,0	15,0	1,0
WFM-1012-17	10,0	+0,025 +0,083	12,0	18,0	17,0	1,0
WFM-1214-04	12,0	+0,032 +0,102	14,0	20,0	4,0	1,0
WFM-1214-044	12,0	+0,032 +0,102	14,0	20,0	4,4	1,0
WFM-1214-06	12,0	+0,032 +0,102	14,0	20,0	6,0	1,0
WFM-1214-07	12,0	+0,032 +0,102	14,0	20,0	7,0	1,0
WFM-1214-09	12,0	+0,032 +0,102	14,0	20,0	9,0	1,0
WFM-1214-10	12,0	+0,032 +0,102	14,0	20,0	10,0	1,0
WFM-1214-11	12,0	+0,032 +0,102	14,0	20,0	11,0	1,0
WFM-1214-12	12,0	+0,032 +0,102	14,0	20,0	12,0	1,0
WFM-1214-15	12,0	+0,032 +0,102	14,0	20,0	15,0	1,0
WFM-1214-17	12,0	+0,032 +0,102	14,0	20,0	17,0	1,0
WFM-1214-20	12,0	+0,032 +0,102	14,0	20,0	20,0	1,0
WFM-1315-06	13,0	+0,032 +0,102	15,0	22,0	6,0	1,0
WFM-1416-04	14,0	+0,032 +0,102	16,0	22,0	4,0	1,0
WFM-1416-05	14,0	+0,032 +0,102	16,0	22,0	5,0	1,0
WFM-1416-08	14,0	+0,032 +0,102	16,0	22,0	8,0	1,0
WFM-1416-12	14,0	+0,032 +0,102	16,0	22,0	12,0	1,0
WFM-1416-17	14,0	+0,032 +0,102	16,0	22,0	17,0	1,0
WFM-1416-29	14,0	+0,032 +0,102	16,0	22,0	29,0	1,0
WFM-1517-09	15,0	+0,032 +0,102	17,0	23,0	9,0	1,0
WFM-1517-12	15,0	+0,032 +0,102	17,0	23,0	12,0	1,0
WFM-1517-17	15,0	+0,032 +0,102	17,0	23,0	17,0	1,0
WFM-1517-20	15,0	+0,032 +0,102	17,0	23,0	20,0	1,0
WFM-1618-09	16,0	+0,032 +0,102	18,0	24,0	9,0	1,0
WFM-1618-12	16,0	+0,032 +0,102	18,0	24,0	12,0	1,0
WFM-1618-17	16,0	+0,032 +0,102	18,0	24,0	17,0	1,0
WFM-1719-12	17,0	+0,032 +0,102	19,0	25,0	12,0	1,0
WFM-1719-18	17,0	+0,032 +0,102	19,0	25,0	18,0	1,0
WFM-1719-25	17,0	+0,032 +0,102	19,0	25,0	25,0	1,0
WFM-1820-06	18,0	+0,032 +0,102	20,0	26,0	6,0	1,0
WFM-1820-12	18,0	+0,032 +0,102	20,0	26,0	12,0	1,0
WFM-1820-17	18,0	+0,032 +0,102	20,0	26,0	17,0	1,0
WFM-1820-22	18,0	+0,032 +0,102	20,0	26,0	22,0	1,0
WFM-2023-11	20,0	+0,040 +0,124	23,0	30,0	11,5	1,5
WFM-2023-14	20,0	+0,040 +0,124	23,0	30,0	14,5	1,5

* nach dem Einpressen; Messverfahren ► Seite 59



Gleitlager mit Bund

Abmessungen [mm]

Bestellnummer	d1	d1-Toleranz*	d2	d3 d13	b1 h13	b2 -0,14
WFM-2023-16	20,0	+0,040 +0,124	23,0	30,0	16,5	1,5
WFM-2023-21	20,0	+0,040 +0,124	23,0	30,0	21,5	1,5
WFM-2427-10	24,0	+0,040 +0,124	27,0	32,0	10,5	1,5
WFM-2528-11	25,0	+0,040 +0,124	28,0	35,0	11,0	1,5
WFM-2528-16	25,0	+0,040 +0,124	28,0	35,0	16,5	1,5
WFM-2528-21	25,0	+0,040 +0,124	28,0	35,0	21,0	1,5
WFM-2528-30	25,0	+0,040 +0,124	28,0	32,0	30,0	1,5
WFM-252831-13	25,0	+0,040 +0,124	28,0	31,0	13,0	1,5
WFM-2830-36	28,0	+0,040 +0,124	30,0	35,0	36,0	1,0
WFM-3034-10	30,0	+0,040 +0,124	34,0	42,0	10,0	2,0
WFM-3034-16	30,0	+0,040 +0,124	34,0	42,0	16,0	2,0
WFM-3034-26	30,0	+0,040 +0,124	34,0	42,0	26,0	2,0
WFM-3034-37	30,0	+0,040 +0,124	34,0	42,0	37,0	2,0
WFM-3236-16	32,0	+0,050 +0,150	36,0	40,0	16,0	2,0
WFM-3236-26	32,0	+0,050 +0,150	36,0	40,0	26,0	2,0
WFM-3539-09	35,0	+0,050 +0,150	39,0	47,0	9,0	2,0
WFM-3539-16	35,0	+0,050 +0,150	39,0	47,0	16,0	2,0
WFM-3539-26	35,0	+0,050 +0,150	39,0	47,0	26,0	2,0
WFM-353950-35	35,0	+0,050 +0,150	39,0	50,0	35,0	2,0
WFM-3842-22	38,0	+0,050 +0,150	42,0	50,0	22,0	2,0
WFM-4044-30	40,0	+0,050 +0,150	44,0	52,0	30,0	2,0
WFM-4044-40	40,0	+0,050 +0,150	44,0	52,0	40,0	2,0
WFM-4550-50	45,0	+0,050 +0,150	50,0	58,0	50,0	2,0
WFM-5055-40	50,0	+0,050 +0,150	55,0	63,0	40,0	2,0
WFM-5055-50	50,0	+0,050 +0,150	55,0	63,0	50,0	2,0
WFM-5560-60	55,0	+0,060 +0,180	60,0	68,0	60,0	2,0
WFM-5762-40	57,0	+0,060 +0,180	62,0	67,0	40,0	2,0
WFM-6065-60	60,0	+0,060 +0,180	65,0	73,0	60,0	2,0
WFM-6570-60	65,0	+0,060 +0,180	70,0	78,0	60,0	2,0
WFM-7075-100	70,0	+0,060 +0,180	75,0	83,0	100,0	2,5
WFM-7580-100	75,0	+0,060 +0,180	80,0	88,0	100,0	2,5
WFM-8085-100	80,0	+0,060 +0,180	85,0	93,0	100,0	2,5
WFM-9095-100	90,0	+0,072 +0,212	95,0	103,0	100,0	2,5
WFM-100105-100	100,0	+0,072 +0,212	105,0	113,0	100,0	2,5
WFM-120125-100	120,0	+0,072 +0,212	125,0	133,0	100,0	2,5

* nach dem Einpressen; Messverfahren ► Seite 59



Sie finden ihre Abmessung nicht?

Benötigen sie eine andere Länge, Abmessung oder Toleranz? Sie suchen eine bestimmte Form oder Alternative für ihre Anwendung? Bitte rufen sie uns an. igus® prüft genau ihre Anforderung und bietet ihnen kurzfristig eine Lösung an.



Noch mehr Abmessungen ab Lager

Über 300 weitere Abmessungen stehen jetzt zur Verfügung. Sie können online nach Ihrem Wunschlager suchen.

► www.igus.de/iglidur-sonderabmessungen