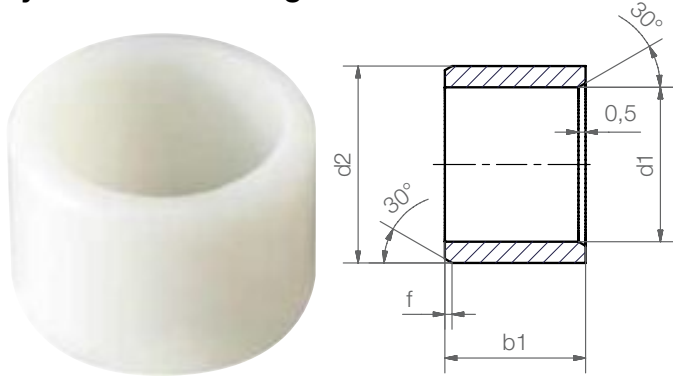


zylindrische Gleitlager



Abmessungen nach DIN 1850 und Sonderabmessungen

Fase in Abhängigkeit von d1

d1 [mm]:	Ø 1-6	Ø 6-12	Ø 12-30	Ø > 30
f [mm]:	0,3	0,5	0,8	1,2

Abmessungen [mm]

Bestellnummer	d1	d1-Toleranz*	d2	b1 h13
ASM-0103-02	1,0	+0,020 +0,080	3,0	2,0
ASM-0104-02	1,5	+0,020 +0,080	4,0	2,0
ASM-0205-02	2,0	+0,020 +0,080	5,0	2,0
ASM-0205-03	2,0	+0,020 +0,080	5,0	3,0
ASM-0206-03	2,5	+0,020 +0,080	6,0	3,0
ASM-0305-03	3,0	+0,020 +0,080	5,0	3,0
ASM-0305-04	3,0	+0,020 +0,080	5,0	4,0
ASM-0306-03	3,0	+0,020 +0,080	6,0	3,0
ASM-0306-04	3,0	+0,020 +0,080	6,0	4,0
ASM-0407-03	4,0	+0,030 +0,105	7,0	3,0
ASM-0407-04	4,0	+0,030 +0,105	7,0	4,0
ASM-0407-06	4,0	+0,030 +0,105	7,0	6,0
ASM-0408-06	4,0	+0,030 +0,105	8,0	6,0
ASM-0508-04	5,0	+0,030 +0,105	8,0	4,0
ASM-0508-05	5,0	+0,030 +0,105	8,0	5,0
ASM-0508-08	5,0	+0,030 +0,105	8,0	8,0
ASM-0509-05	5,0	+0,030 +0,105	9,0	5,0
ASM-0509-08	5,0	+0,030 +0,105	9,0	8,0
ASM-0608-10	6,0	+0,030 +0,105	8,0	10,0
ASM-0609-06	6,0	+0,030 +0,105	9,0	6,0
ASM-0610-04	6,0	+0,030 +0,105	10,0	4,0
ASM-0610-06	6,0	+0,030 +0,105	10,0	6,0
ASM-0610-10	6,0	+0,030 +0,105	10,0	10,0
ASM-0612-06	6,0	+0,030 +0,105	12,0	6,0
ASM-0612-10	6,0	+0,030 +0,105	12,0	10,0

* nach dem Einpressen; Messverfahren ► Seite 59



Bestellschlüssel

ASM-0103-02



- Gesamtlänge b1
- Außendurchmesser d2
- Innendurchmesser d1
- metrisch
- zylindrisch (Form S)
- Werkstoff iglidur® A200

Bestellnummer	d1	d1-Toleranz*	d2	b1 h13
ASM-0710-05	7,0	+0,040 +0,130	10,0	5,0
ASM-0710-08	7,0	+0,040 +0,130	10,0	8,0
ASM-0810-06	8,0	+0,040 +0,130	10,0	6,0
ASM-0810-08	8,0	+0,040 +0,130	10,0	8,0
ASM-0810-10	8,0	+0,040 +0,130	10,0	10,0
ASM-0811-08	8,0	+0,040 +0,130	11,0	8,0
ASM-0811-12	8,0	+0,040 +0,130	11,0	12,0
ASM-0812-06	8,0	+0,040 +0,130	12,0	6,0
ASM-0812-08	8,0	+0,040 +0,130	12,0	8,0
ASM-0812-10	8,0	+0,040 +0,130	12,0	10,0
ASM-0812-12	8,0	+0,040 +0,130	12,0	12,0
ASM-0814-06	8,0	+0,040 +0,130	14,0	6,0
ASM-0814-10	8,0	+0,040 +0,130	14,0	10,0
ASM-0912-14	9,0	+0,040 +0,130	12,0	14,0
ASM-1012-10	10,0	+0,040 +0,130	12,0	10,0
ASM-1014-06	10,0	+0,040 +0,130	14,0	6,0
ASM-1014-08	10,0	+0,040 +0,130	14,0	8,0
ASM-1014-10	10,0	+0,040 +0,130	14,0	10,0
ASM-1014-16	10,0	+0,040 +0,130	14,0	16,0
ASM-1016-06	10,0	+0,040 +0,130	16,0	6,0
ASM-1016-10	10,0	+0,040 +0,130	16,0	10,0
ASM-1016-16	10,0	+0,040 +0,130	16,0	16,0
ASM-1214-20	12,0	+0,050 +0,160	14,0	20,0
ASM-1216-15	12,0	+0,050 +0,160	16,0	15,0
ASM-1216-20	12,0	+0,050 +0,160	16,0	20,0

Lieferzeit ab Lager

Preise Online-Preisliste
www.igus.de/de/a200



zylindrische Gleitlager

Abmessungen [mm]

Bestellnummer	d1	d1-Toleranz*	d2	b1 h13
ASM-1218-08	12,0	+0,050 +0,160	18,0	8,0
ASM-1218-10	12,0	+0,050 +0,160	18,0	10,0
ASM-1218-15	12,0	+0,050 +0,160	18,0	15,0
ASM-1218-20	12,0	+0,050 +0,160	18,0	20,0
ASM-1416-10	14,0	+0,050 +0,160	16,0	10,0
ASM-1416-15	14,0	+0,050 +0,160	16,0	15,0
ASM-1416-20	14,0	+0,050 +0,160	16,0	20,0
ASM-1420-10	14,0	+0,050 +0,160	20,0	10,0
ASM-1420-15	14,0	+0,050 +0,160	20,0	15,0
ASM-1420-20	14,0	+0,050 +0,160	20,0	20,0
ASM-1517-10	15,0	+0,050 +0,160	17,0	10,0
ASM-1517-15	15,0	+0,050 +0,160	17,0	15,0
ASM-1521-10	15,0	+0,050 +0,160	21,0	10,0
ASM-1521-15	15,0	+0,050 +0,160	21,0	15,0
ASM-1521-20	15,0	+0,050 +0,160	21,0	20,0
ASM-1618-12	16,0	+0,050 +0,160	18,0	12,0
ASM-1618-20	16,0	+0,050 +0,160	18,0	20,0
ASM-1620-20	16,0	+0,050 +0,160	20,0	20,0
ASM-1620-25	16,0	+0,050 +0,160	20,0	25,0
ASM-1622-12	16,0	+0,050 +0,160	22,0	12,0
ASM-1622-15	16,0	+0,050 +0,160	22,0	15,0
ASM-1622-16	16,0	+0,050 +0,160	22,0	16,0
ASM-1622-20	16,0	+0,050 +0,160	22,0	20,0
ASM-1622-25	16,0	+0,050 +0,160	22,0	25,0
ASM-1824-12	18,0	+0,050 +0,160	24,0	12,0
ASM-1824-20	18,0	+0,050 +0,160	24,0	20,0
ASM-1824-30	18,0	+0,050 +0,160	24,0	30,0
ASM-2023-15	20,0	+0,065 +0,195	23,0	15,0
ASM-2023-20	20,0	+0,065 +0,195	23,0	20,0
ASM-2025-15	20,0	+0,065 +0,195	25,0	15,0
ASM-2025-20	20,0	+0,065 +0,195	25,0	20,0
ASM-2025-30	20,0	+0,065 +0,195	25,0	30,0
ASM-2026-15	20,0	+0,065 +0,195	26,0	15,0

Bestellnummer	d1	d1-Toleranz*	d2	b1 h13
ASM-2026-20	20,0	+0,065 +0,195	26,0	20,0
ASM-2026-30	20,0	+0,065 +0,195	26,0	30,0
ASM-2226-15	22,0	+0,065 +0,195	26,0	15,0
ASM-2228-10	22,0	+0,065 +0,195	28,0	10,0
ASM-2228-15	22,0	+0,065 +0,195	28,0	15,0
ASM-2228-20	22,0	+0,065 +0,195	28,0	20,0
ASM-2228-30	22,0	+0,065 +0,195	28,0	30,0
ASM-2430-15	24,0	+0,065 +0,195	30,0	15,0
ASM-2430-20	24,0	+0,065 +0,195	30,0	20,0
ASM-2430-30	24,0	+0,065 +0,195	30,0	30,0
ASM-2528-12	25,0	+0,065 +0,195	28,0	12,0
ASM-2528-20	25,0	+0,065 +0,195	28,0	20,0
ASM-2530-20	25,0	+0,065 +0,195	30,0	20,0
ASM-2530-30	25,0	+0,065 +0,195	30,0	30,0
ASM-2530-40	25,0	+0,065 +0,195	30,0	40,0
ASM-2532-20	25,0	+0,065 +0,195	32,0	20,0
ASM-2532-30	25,0	+0,065 +0,195	32,0	30,0
ASM-2532-40	25,0	+0,065 +0,195	32,0	40,0
ASM-2630-20	26,0	+0,065 +0,195	30,0	20,0
ASM-2632-30	26,0	+0,065 +0,195	32,0	30,0
ASM-2734-20	27,0	+0,065 +0,195	34,0	20,0
ASM-2734-30	27,0	+0,065 +0,195	34,0	30,0
ASM-2734-40	27,0	+0,065 +0,195	34,0	40,0
ASM-2833-20	28,0	+0,065 +0,195	33,0	20,0
ASM-2836-20	28,0	+0,065 +0,195	36,0	20,0
ASM-2836-30	28,0	+0,065 +0,195	36,0	30,0
ASM-2836-40	28,0	+0,065 +0,195	36,0	40,0
ASM-3038-20	30,0	+0,065 +0,195	38,0	20,0
ASM-3038-30	30,0	+0,065 +0,195	38,0	30,0
ASM-3038-40	30,0	+0,065 +0,195	38,0	40,0
ASM-3240-20	32,0	+0,080 +0,240	40,0	20,0
ASM-3240-30	32,0	+0,080 +0,240	40,0	30,0
ASM-3240-40	32,0	+0,080 +0,240	40,0	40,0

* nach dem Einpressen; Messverfahren ► Seite 59



Sie finden ihre Abmessung nicht?

Benötigen sie eine andere Länge, Abmessung oder Toleranz? Sie suchen eine bestimmte Form oder Alternative für ihre Anwendung? Bitte rufen sie uns an. igus® prüft genau ihre Anforderung und bietet ihnen kurzfristig eine Lösung an.



Lieferzeit ab Lager



Preise Online-Preisliste

www.igus.de/de/a200